

X Series 36" Gas Restaurant Range

Project _____
 Item _____
 Quantity _____
 CSI Section 11400
 Approved _____
 Date _____

Models

- X36-6R
- X36-2G24R



Model X36-6R

Standard Features

- Large 27" (686mm) work top surface
- Stainless steel front and sides
- Stainless steel 4" (102mm) plate rail
- Stainless steel backguard w/ removable stainless steel shelf
- 12" (305mm) section stamped drip trays w/ dimpled bottom
- Durable easy to read control knobs
- Easy to clean 6" (152mm) steel core, injection molded legs
- Pressure regulator, 3/4" NPT

Standard on Applicable Models:

- Ergonomic split cast iron top ring grates
- 30,000 Btuh/ 8.79 kW 2 piece cast iron "Q" style donut open burner
- 5/8" (15mm) thick steel griddle plate w/manual hi/lo valve control
- 4-1/4" (108mm) wide grease trough
- 18,000 Btuh/5.27 kW cast iron "H" style griddle burner per 12"(305mm) width of griddle
- Griddle plates only available on right side of range
- Straight steel tube oven burner 33,000 Btuh/9.67 kW
- Standard size Sunfire oven w/ribbed porcelain oven bottom and door interior, aluminized top, sides and back

- Oven thermostat w/ Low to 500° F (260° C)
- Nickel plated oven rack with two fixed position oven rack guides
- Heavy duty oven door with keep-cool handle

Options & Accessories

- Low profile 9-3/8" (238mm) backguard stainless steel front and sides
- Additional oven racks
- 6" (152mm) swivel casters (4), w/front locking
- Celsius temperature dials

Specifications

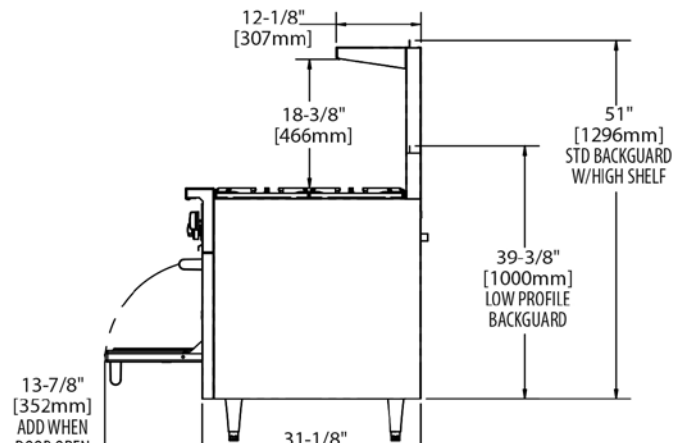
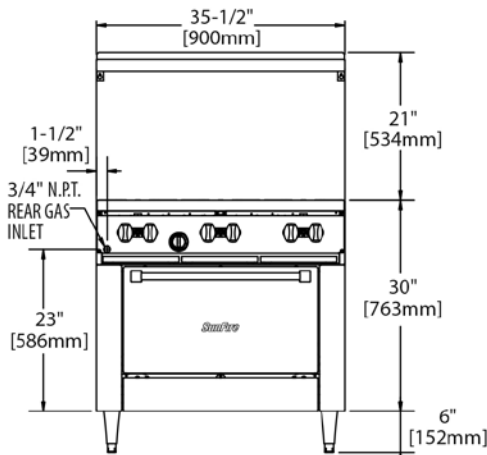
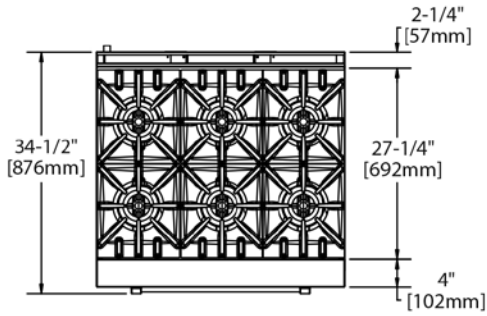
Gas restaurant series range with standard size Sunfire oven. 35-7/16" (900mm) wide with a 27" (686mm) deep work top surface. Stainless steel front, sides and 4"(102mm) wide front rail. 6" (152mm) legs with adjustable feet. Six robust 2 piece 30,000 Btuh/8.797 kW (Natural gas), cast open burners set in split cast iron ergonomic grates. Griddle with cast iron "H" style burners, 18,000 Btuh/5.27 kW (natural gas), in lieu of open burners. Porcelain oven bottom and door liner. Two position fixed rack guide w/one oven rack. Heavy duty oven door with "keep cool" door handle. Straight steel tube oven burner 33,000 Btuh/9.67 kW (natural gas) provides quality bake and good recovery. Oven thermostat ranges from Low to 500° F (260° C).

NOTE: Ranges supplied with casters must be installed with an approved restraining device.



X Series 36" Gas Restaurant Range

X Series 36" Gas Restaurant Range



Gas input ratings shown for installations up to 2000 ft.,(610m) above sea level. Please specify altitudes over 2000 ft.

This product is not approved for residential use.

Note: Installation clearance reductions are applicable only where local codes permit.

Model Number	Description	Total BTU/Hr Natural Gas	Shipping Information		
			Lbs.	Kg	Cu Ft
X36-6R	Six Open Burners w/26" Oven	213,000	430	195	37
X36-2G24R	24" Griddle, Two Open Burners w/26" Oven	133,000	495	225	37

Width	Depth	Height w/ Shelf	Oven Interior			Combustible Wall Clearance		Entry Clearances	
			Height	Depth	Width	Sides	Rear	Crated	Uncrated
35-7/16" (900mm)	33-1/2" (851mm)	57" (1448mm)	13" (330mm)	22" (559mm)	26-1/4" (667mm)	14" (356mm)	6" (152mm)	37" (940mm)	36-1/2" (927mm)

Burner Ratings (BTU/Hr/kW)			
Gas Type	Open Top	Griddle/Hot Top	Standard Oven
Natural	30,000/8.79	18,000/5.27	33,000/9.67
Propane	26,000/7.61	18,000/5.27	29,000/8.50

Manifold Operating Pressure	
Natural	Propane
4.5" WC 11 mbar	10" WC 25 mbar

Garland reserves the right to make changes to the design or specifications without prior notice.

Garland Commercial Ranges Ltd.
1177 Kamato Road,
Mississauga, Ontario
L4W 1X4 CANADA

General Inquires 1-905-624-0260
USA Sales, Parts and Service 1-800-424-2411
Canadian Sales 1-888-442-7526
Canada or USA Parts/Service 1-800-427-6668

www.garland-group.com
7010A
2/24

