



Equipment for the Foodservice Industry
value + quality + service

Polyboard Tables



Polyboard Tables

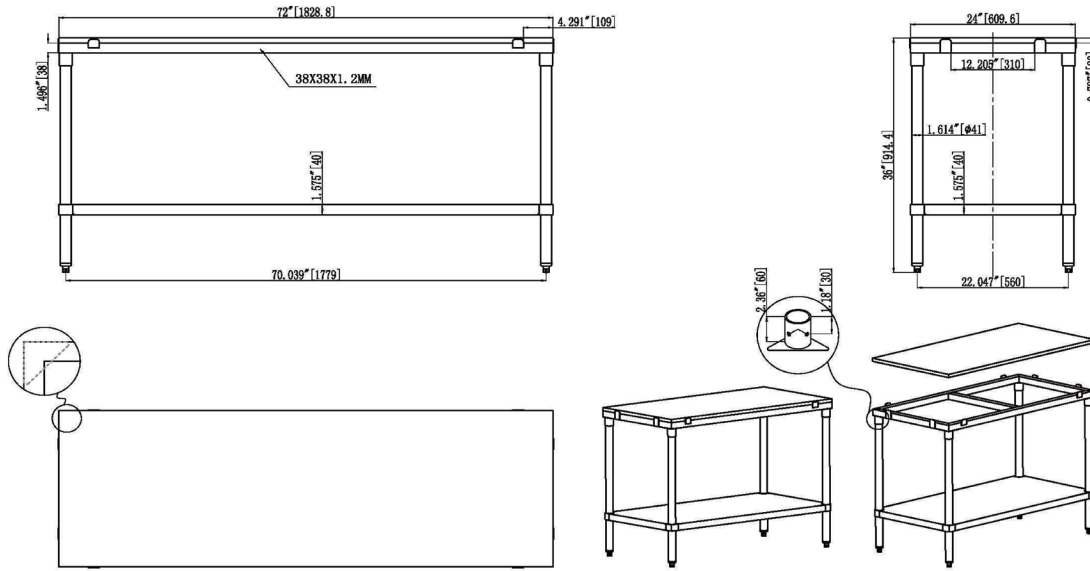
Features

Features:

- 3/4" solid poly board
- Convenient for Butchers and Commercial Kitchens
- Stainless steel frame, legs and under shelf
- Welded leg gussets for added strength
- 1 5/8" tubular 403 stainless steel legs
- Welded tabs lock poly board into place
- Shipped unassembled for reduced cost and space
- Easily Assembled
- Removable poly board for easy cleaning
- Adjustable ABS bullet feet to accommodate uneven flooring
- 84" and above have 6 legs
- Specifications subject to change without notice.

Polyboard Tables

Specifications



24" POLYBOARD TOP WORKTABLE

Product #	Width	Shipping Dimensions			Weight (lbs)
		L"	W"	H"	
TP2436	36	38	25	7	35
TP2448	48	50	25	7	40
TP2460	60	62	25	7	45
TP2472	72	74	25	7	50
TP2484	84	86	25	7	55
TP2496	96	98	25	7	60

30" POLYBOARD TOP WORKTABLE

Product #	Width	Shipping Dimensions			Weight (lbs)
		L"	W"	H"	
TP3036	36	38	31	7	65
TP3048	48	50	31	7	70
TP3060	60	62	31	7	75
TP3072	72	74	31	7	80
TP3084	84	86	31	7	85
TP3096	96	98	31	7	90

24" POLYBOARD REPLACEMENT TOP

Product #	Width	Shipping Dimensions		
		L"	W"	H"
TP2436-P	36	38	25	1
TP2448-P	48	50	25	1
TP2460-P	60	62	25	1
TP2472-P	72	74	25	1
TP2484-P	84	86	25	1
TP2496-P	96	98	25	1

30" POLYBOARD REPLACEMENT TOP

Product #	Width	Shipping Dimensions		
		L"	W"	H"
TP3036-P	36	38	31	1
TP3048-P	48	50	31	1
TP3060-P	60	62	31	1
TP3072-P	72	74	31	1
TP3084-P	84	86	31	1
TP3096-P	96	98	31	1