



Equipment for the Foodservice Industry

value + quality + service

Worktables with Backsplash



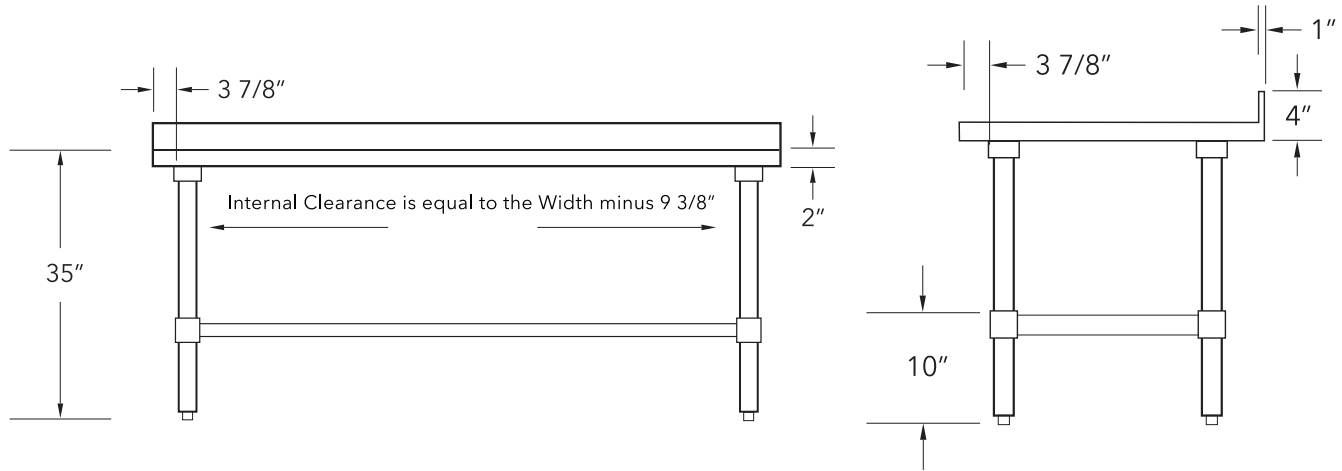
Worktables with Backsplash Features

Features:

- Floor to table top height is 35" with an additional 4" rise for the backsplash
- Heavy duty, 18 gauge, Type 430 stainless steel top provides long life
- Top is TIG welded
- Entire top surface is machine polished to a satin finish
- Reinforced to exceed industry standards
- Galvanized hat channels are secured to top by structural adhesive and weld studs
- Gussets welded to support hat sections
- Hemmed edges provide strength and safety
- Simple assembly
- Shipped unassembled for reduced cost and space
- Galvanized legs and undershelf for durability and economy
- Die cast reinforced leg sockets for stability
- Legs are 1 5/8" diameter
- Adjustable ABS bullet feet to accommodate uneven flooring
- 84" and above have 6 legs
- Specifications subject to change without notice.



Worktables with Backsplash Specifications



24" WORKTABLES WITH BACKSLASH

Product #	Width	Shipping Dimensions			Weight (lbs)
		L"	W"	H"	
TB2424	24	36	27	7	44
TB2430	30	36	27	7	47
TB2436	36	38	27	7	52
TB2448	48	50	27	7	63
TB2460	60	62	27	7	75
TB2472	72	74	27	7	85
TB2484	84	86	27	7	104
TB2496	96	98	27	7	115

30" WORKTABLES WITH BACKSLASH

Product #	Width	Shipping Dimensions			Weight (lbs)
		L"	W"	H"	
TB3018	18	37	33	7	40
TB3024	24	37	33	7	46
TB3030	30	36	33	7	52
TB3036	36	38	33	7	59
TB3048	48	50	33	7	72
TB3060	60	62	33	7	87
TB3072	72	74	33	7	99
TB3084	84	86	33	7	120
TB3096	96	98	33	7	135