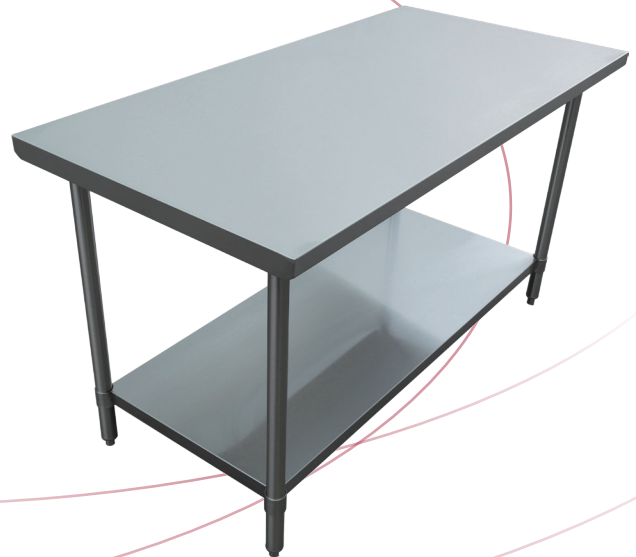




Equipment for the Foodservice Industry

value + quality + service

Stainless Steel Worktables



Stainless Steel Worktables Features

Features:

- Heavy duty, 18 gauge, Type 430 stainless steel top provides long life
- Top is TIG welded
- Entire top surface is machine polished to a satin finish
- Reinforced to exceed industry standards
- Galvanized hat channels are secured to top by structural adhesive and weld studs
- Gussets welded to support hat sections
- Hemmed edges provide strength and safety
- All worktables are standard 35" height
- Galvanized legs and undershelf for durability
- and economy
- Die cast reinforced leg sockets for stability
- Legs are 1 5/8" diameter
- Adjustable ABS bullet feet to accommodate uneven flooring
- 84" and above have 6 legs
- Simple assembly
- Shipped unassembled for reduced cost and space



Stainless Steel Worktables Specifications

18" WORKTABLES

Product #	Width	Depth	Shipping Dimensions (W"xD"xH")	Weight (lb)
T1818	18"	18"	35 x 21 x 3	30
T1824	24"	18"	35 x 21 x 3	36
T1830	30"	18"	35 x 21 x 3	40
T1836	36"	18"	38 x 21 x 3	45
T1848	48"	18"	50 x 21 x 3	50
T1860	60"	18"	62 x 21 x 3	66
T1872	72"	18"	74 x 21 x 3	76
T1884	84"	18"	86 x 21 x 3	95
T1896	96"	18"	98 x 21 x 3	105

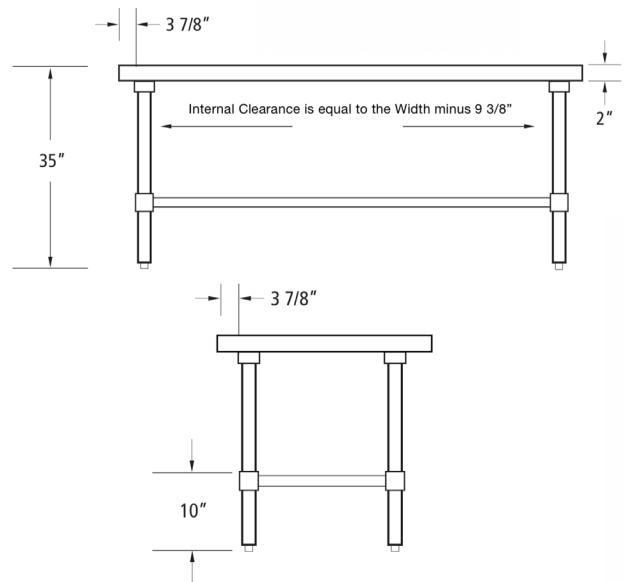
30" WORKTABLES

Product #	Width	Depth	Shipping Dimensions (W"xD"xH")	Weight (lb)
T3030	30"	30"	38 x 32 x 3	50
T3036	36"	30"	38x 32 x 3	57
T3048	48"	30"	50x 32 x 3	69
T3060	60"	30"	62x 32 x 3	83
T3072	72"	30"	74x 32 x 3	95
T3084	84"	30"	86x 32 x 3	115
T3096	96"	30"	98x 32 x 3	130



24" WORKTABLES

Product #	Width	Depth	Shipping Dimensions (W"xD"xH")	Weight (lb)
T2424	24"	24"	36 x 26 x 3	41
T2430	30"	24"	36 x 26 x 3	45
T2436	36"	24"	38x 26 x 3	50
T2448	48"	24"	50x 26 x 3	60
T2460	60"	24"	62x 26 x 3	71
T2472	72"	24"	74x 26 x 3	81
T2484	84"	24"	86x 26 x 3	100
T2496	96"	24"	98x 26 x 3	110



Product Feature: All 84" & 96" worktables consist of 6 legs (2 on each end and 1 pair in the middle)

Specifications subject to change without notice.