




Equipment for the Foodservice Industry

value + quality + service

## 18" COMPARTMENT CORNER DRAIN SINKS



SI818-3R 

### 18" COMPARTMENT CORNER DRAIN SINKS **Features**

#### Features:

- 18 gauge, Type 304 stainless steel construction for lasting durability
- Coved corners for safety and easy cleaning
- Die-stamped drain boards and sink bottoms for positive drainage
- Sinks come with an 14" deep bowl and are available with center or corner drain
- Wall clips are provided for neat and easy installation
- All sinks come with 8" center pre-cut and holes for standard wall mount faucets (faucet not included)
- Corner drain sinks come with corner drain guard, overflow pipe and drain pipe extension
- Corner drain sinks have a 1 7/8" diameter drain hole and come with drain basket
- Sink heights are 36" floor to rim and 44½" floor to top of backsplash
- Seamless one piece construction with 5/8" radius corners for easy cleaning
- All TIG welded
- Welded areas are blended to match adjacent surface and blended to a satin finish
- Gussets are welded to a die embossed reinforced plate
- Optional leg braces are available for additional support in heavy duty applications
- Stainless steel legs with welded leg brace



## 18" COMPARTMENT CORNER DRAIN SINKS **Specifications**

### 18" SINGLE COMPARTMENT

Product #	Style	Shipping Dimensions			Weight (lbs)
		W"	D"	H"	
SI818-1N		24	24	24	58
SI818-1L		45	24	24	68
SI818-1R		45	24	24	68
SI818-1B		66	24	24	79



SI818-1B



### 18" 2 COMPARTMENT

Product #	Style	Shipping Dimensions			Weight (lbs)
		W"	D"	H"	
SI818-2N		42	24	24	83
SI818-2L		63	24	24	94
SI818-2R		63	24	24	94
SI818-2B		84	24	24	106



SI818-2N

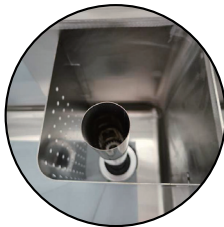


### 18" 3 COMPARTMENT

Product #	Style	Shipping Dimensions			Weight (lbs)
		W"	D"	H"	
SI818-3N		59	24	24	110
SI818-3L		81	24	24	121
SI818-3R		81	24	24	121
SI818-3B		103	24	24	133



SI818-3R

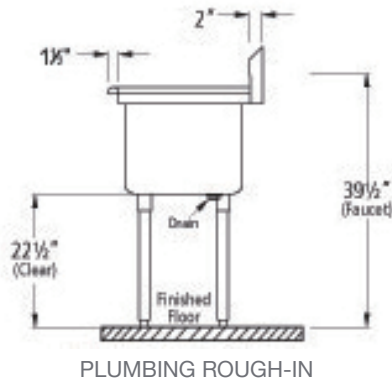


CORNER DRAIN DETAIL WITH DRAIN GUARD AND OVERFLOW TUBE (included with all corner drain sinks)

*Specifications subject to change without notice.*

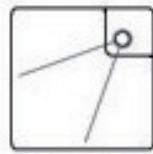
**18" COMPARTMENT CORNER DRAIN SINKS Specifications**

18" COMPARTMENT  
CORNER DRAIN SINKS  
1 7/8" DRAIN BASKET

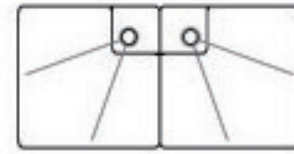


PLUMBING ROUGH-IN

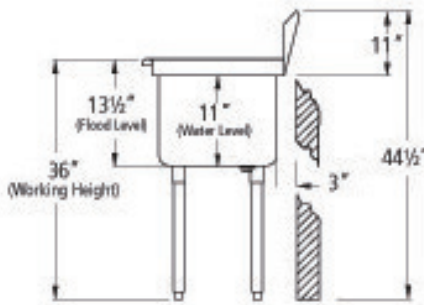
DIMENSIONS



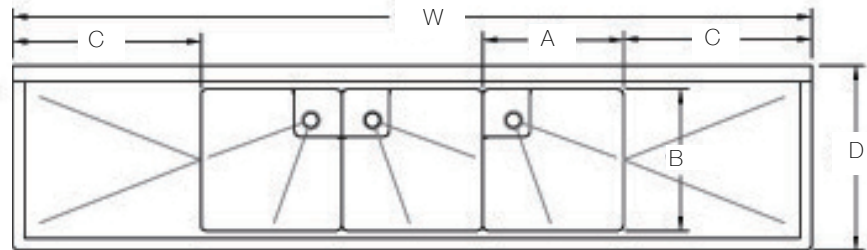
SINGLE COMPARTMENT



2 COMPARTMENTS



SECTION



3 COMPARTMENTS (WITH DRAIN BOARDS)

Product #	Drain Location	Overall Width (W)	Depth (D)	No. of Bowls	Bowl Size (A & B)	No. of Drainboards	Drainboard Width (C)	Drainboard Location
SI818-1N	Corner	23"	23 1/2"	1	18" x 18"	0	N/A	N/A
SI818-1L	Corner	44 1/2"	23 1/2"	1	18" x 18"	1	24"	L
SI818-1R	Corner	44 1/2"	23 1/2"	1	18" x 18"	1	24"	R
SI818-1B	Corner	66"	23 1/2"	1	18" x 18"	2	24"	R & L
SI818-2N	Corner	41"	23 1/2"	2	18" x 18"	0	N/A	N/A
SI818-2L	Corner	62 1/2"	23 1/2"	2	18" x 18"	1	24"	L
SI818-2R	Corner	62 1/2"	23 1/2"	2	18" x 18"	1	24"	R
SI818-2B	Corner	84"	23 1/2"	2	18" x 18"	2	24"	R & L
SI818-3N	Corner	59"	23 1/2"	3	18" x 18"	0	N/A	N/A
SI818-3L	Corner	80 1/2"	23 1/2"	3	18" x 18"	1	24"	L
SI818-3R	Corner	80 1/2"	23 1/2"	3	18" x 18"	1	24"	R
SI818-3B	Corner	102"	23 1/2"	3	18" x 18"	2	24"	R & L