



F99-EK-DPS

UNDERCOUNTER DISHWASHER

- Soft-Touch Electronic Control Panel with Digital Thermostats;
- Stainless steel construction 18/10 AISI 304;
- Wash cycle time: 2'-3'-4' minutes;
- Soft-Touch electronic control panel;
- Double wall thermal and acoustic insulation;
- Cycle start with soft-start system;
- Stainless steel upper and Lower Wash and Rinse Arms;
- Self-washing slanted tank with rounded edges;
- 2 Integral tank filters in stainless steel;
- Counterbalanced Double-Wall door;
- Double slide guide (option);
- Rinse aid dispenser;
- Detergent pump,;
- Automatic tank loading;
- Frontal control panel for easy maintenance;
- Security Yhermostat;



Z.I. Via Italia, 6 - 26855 Lodivecchio (LO) Italy
Tel. (0371) 753202 - 754248-9 Fax (0371) 752928
www.lamber.com - e-mail: info@lamber.it



Specifications	F99-EK-DPS
POWER	6500W, 208 V1ph 60Hz, 35A
RINSE-AID DISPENSER	OUI
DETERGENT PUMP	OUI
CLEARANCE	14,57"
RACK DIMENSIONS (L x W)	19,68" x 19,68"
WORK HEIGHT	12,40"
TANK CAPACITY	4,76 Gal
DIMENSIONS (L x W x H)	23,62" x 25,59" x 32,28"
WASH CYCLE DURATION	2-3-4 mins
WASH CYCLE CAPACITY	30/20/15 baskets/hr
WATER CONSUMPTION	0,6 Gal
ELECTRIC PUMP	650 W
WASH TANK ELEMENT	2000 W
RINSE TANK ELEMENT	6000 W
BOILER CAPACITY	1,58 Gal
WATER INLET TEMPERATURE	55+60°C/131+140°F
WATER INLET CONNECTION	3/4"
WATER OUTLET CONNECTION	32mm/1"1/4
INLET WATER PRESSURE	40+80 psi
WATER HARDNESS	7,2+12,5 °f
RINSE TEMPERATURE	82+90°C/180+195°F
NET WEIGHT	72 kg
SHIP DIMENSIONS (L x W x H)	25,10"x29,15"x34,36"
SHIP WEIGHT	82 kg
NOISE LEVEL	<54dB(A)

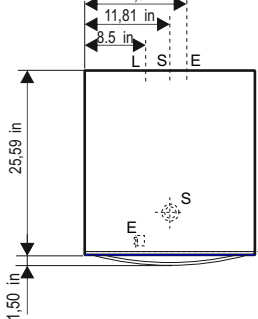
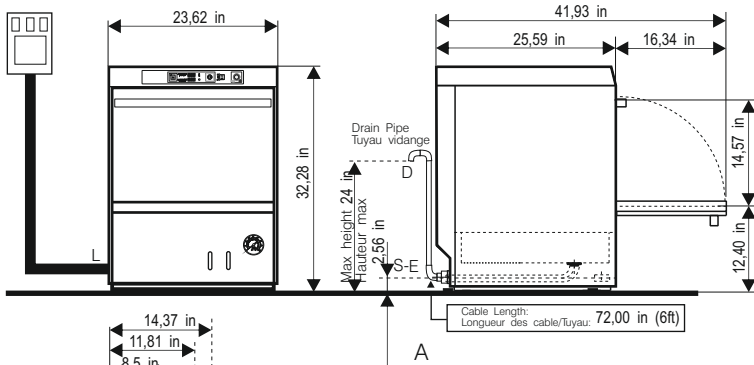


Increased clearance

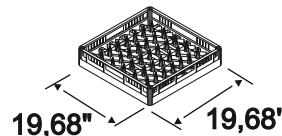
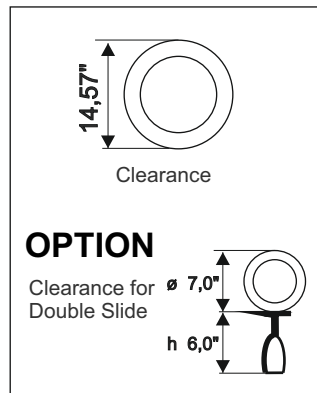
The clearance height is increased by 16 inch compared to the previous model until it reaches **14,57 inch** of load opening. It is therefore possible to wash larger objects.

New Microfilter PLUS

The new microfilter system cleans dirty water in a few washing cycles, and reduces detergent consumption by 20%. The fine residual dirt is collected and discharged also during the washing cycle.



A	Max. Drain Height to Wall	
E	Hot Water Inlet	3/4" G
L	Electrical Connection	208/1~60Hz
S	Drain	32 mm - 1"1/4 G



Z.I. Via Italia, 6 - 26855 Lodivecchio (LO) Italy
 Tel. (0371) 753202 - 754248-9 Fax (0371) 752928
 www.lamber.com - e-mail: info@lamber.it