



Equipment for the Foodservice Industry

value + quality + service

Bottom Mount Reach-in Freezer

F2-39VC



F2-39VC

Features

Features:

- Bottom-mounted cooling unit is easy to remove and clean
- Environmentally friendly R290 refrigerant
- Exterior & interior stainless steel construction
- Dixell digital temperature control system
- Heavy duty Embraco compressor
- Self-closing and stay open door
- Auto evaporation of defrosting water
- Recessed door handles
- Safe lock for safe and secure use
- Removable gasket that is easy to clean and replace
- Adjustable/removable plastic coated wire shelves
- Shelves can be set-up to hold standard full size hotel pans
- Casters for easy movement

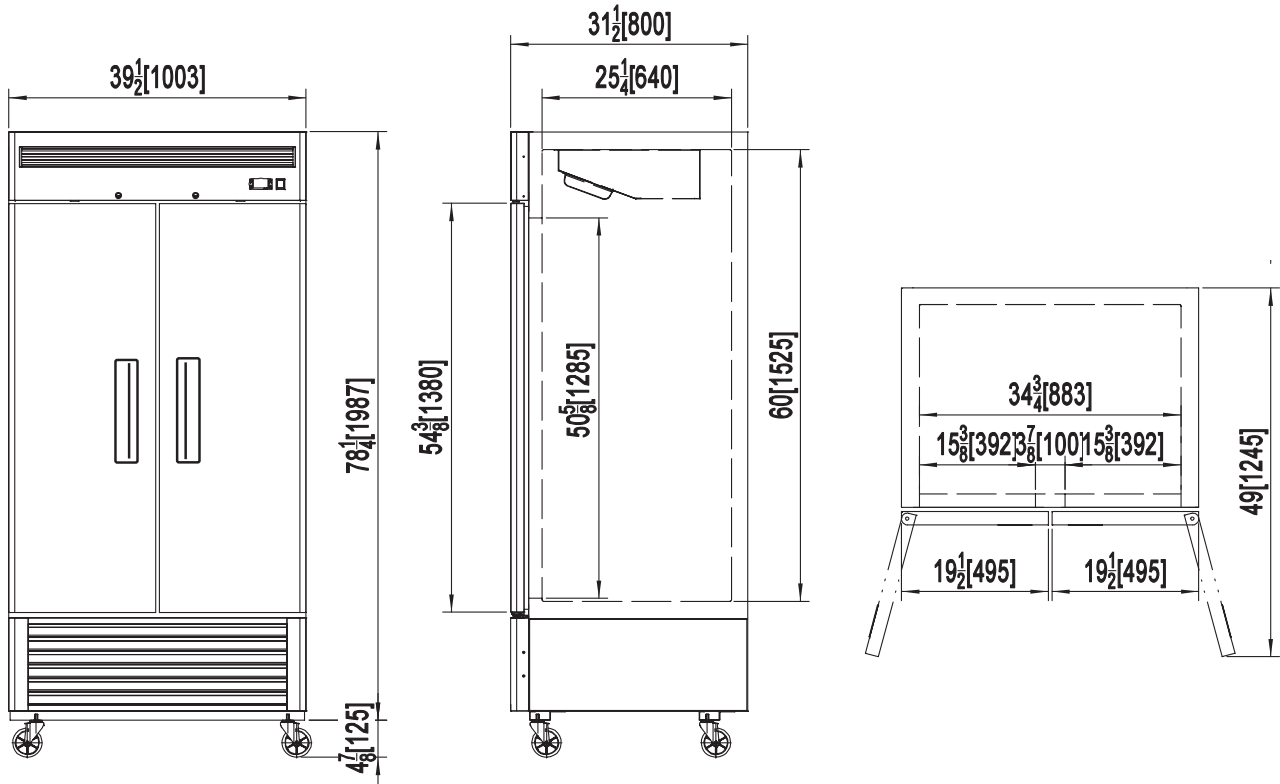
Warranty:

- Two year parts and labour; Five years on compressor.
- For full warranty details visit <https://www.efifoodequip.com/warranty-info.php>*



F2-39VC

Specifications



Model	Refrigerant	Doors	Shelves	Dimension (mm / inch)			HP	Voltage	Amps	Capacity (L / Cu Ft.)	Net Weight (KG / LBS)	Temperature Range
				L	D	H						
F2-39VC	R290	2	6	1003	800	2135	3/4	115/60	8.6	855	150	-8 ~ -1°F
				39.5	31.5	84.1				30.2	330	-22 ~ -18°C

Equipped with one NEMA 5-15P plug 

Shipping Information

Crate Dimensions (mm / inch)			Net Weight (KG / LBS)	Gross Weight (KG / LBS)
L	D	H		
1054	861	2154	170	188
41.5	33.9	84.8	375	415

Specifications subject to change without notice.