



Equipment for the Foodservice Industry

value + quality + service

## Salad/Sandwich Prep Tables

CSDR2-48VC



### CSDR2-48VC

### Features

#### Features:

- Front breathing, side mount compressor
- Exterior & interior stainless steel construction
- Environmentally friendly R290 refrigerant
- Heavy duty Embraco compressor
- Self-closing and stay open door
- Efficient refrigeration system
- Recessed door handle
- Standard safety door lock
- Magnetic door gaskets
- Casters for easy movement
- Pre-installed shelves

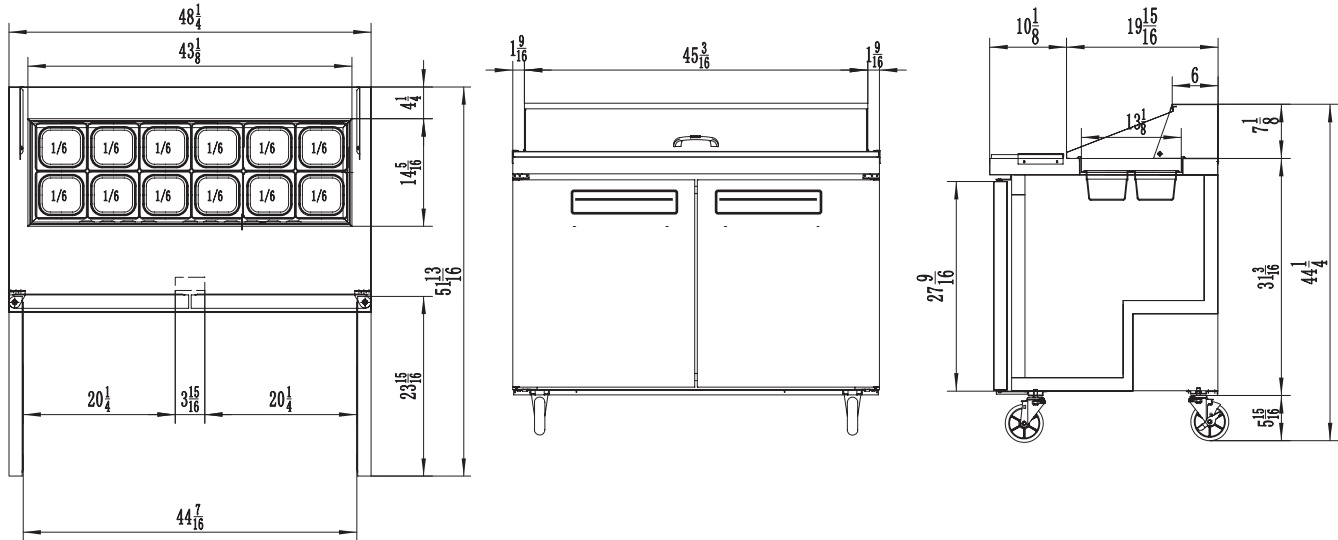
#### Warranty:

- Two year parts and labour; Five years on compressor. For full warranty details visit <https://www.efifoodequip.com/warranty-info.php>



**CSDR2-48VC**

**Specifications**



Model	Refrigerant	Doors	Shelves	Dimension (mm) (inch)			HP	Voltage	Amps	Capacity (L) (Cu Ft.)	Net Weight (KG) (LBS)	Temperature Range
				L	D	H						
CSDR2-48VC	R290	2	2	1225	762	1109	1/6	115/60	2.3	379	105	1 ~ 8°C
				48.2	30.0	43.7				13.4	231	33 ~ 45°F

Equipped with one NEMA 5-15P plug 

**Shipping Information**

Crate Dimensions (mm) (inch)			Net Weight (KG) (LBS)	Gross Weight (KG) (LBS)
L	D	H		
1280	831	1186	105	125
50.4	32.7	46.7	231	276

Specifications subject to change without notice.