



Equipment for the Foodservice Industry

value + quality + service

Salad/Sandwich Prep Tables

CSDR1-27VC-L



CSDR1-27VC-L Features

Features:

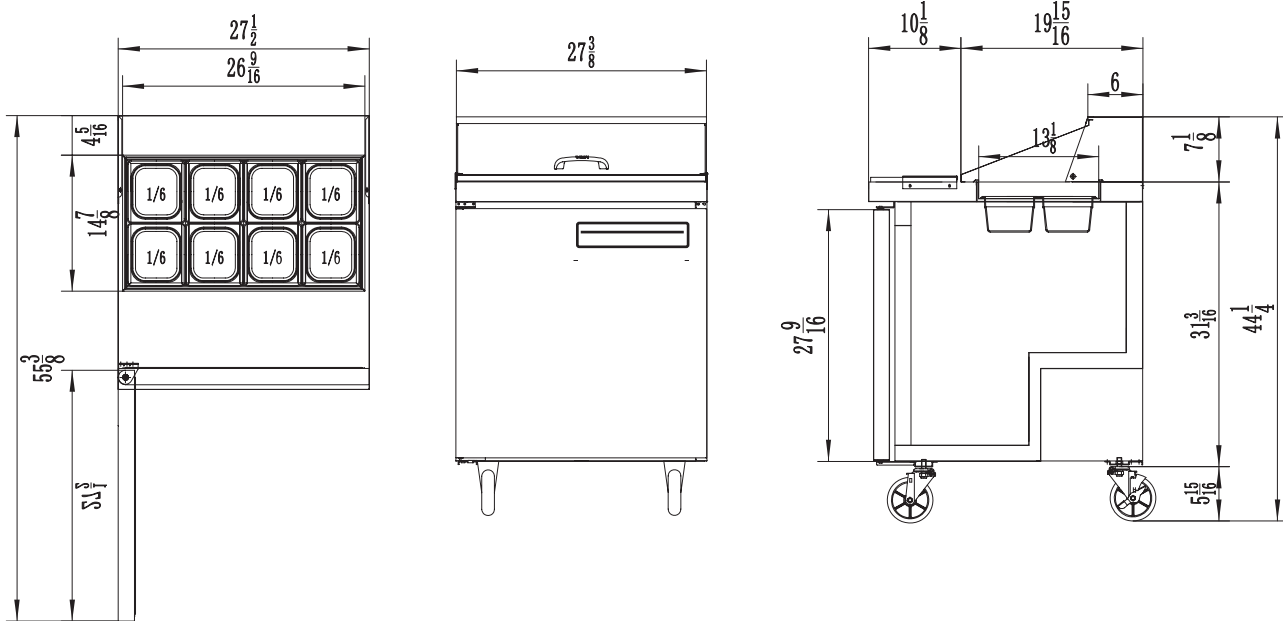
- Front breathing, side mount compressor
- Exterior & interior stainless steel construction
- Environmentally friendly R290 refrigerant
- Heavy duty Embraco compressor
- Self-closing and stay open door
- Efficient refrigeration system
- Recessed door handle
- Standard safety door lock
- Magnetic door gaskets
- Casters for easy movement
- Pre-installed shelves

Warranty:

- Two year parts and labour; Five years on compressor. For full warranty details visit <https://www.efifoodequip.com/warranty-info.php>



CSDR1-27VC-L Specifications



Model	Refrigrant	Doors	Shelves	Dimension (mm) (inch)			HP	Voltage	Amps	Capacity (L) (Cu Ft.)	Net Weight (KG) (LBS)	Temperature Range
				L	D	H						
CSDR1-27VC-L	R290	1	1	698	762	1109	1/6	115/60	2.3	202	72	1 ~ 8°C
				27.5	30.0	43.7				7.2	158	33 ~ 45°F

Equipped with one NEMA 5-15P plug 

Shipping Information

Crate Dimensions (mm) (inch)			Net Weight (KG) (LBS)	Gross Weight (KG) (LBS)
L	D	H		
752	831	1186	72	89
29.6	32.7	46.7	159	196

Specifications subject to change without notice.



EFI Sales Ltd.
Toronto Office
515 Hanlon Blvd
Guelph, ON N1C 0A1

EFI Sales Ltd.
Vancouver Office
26895 Gloucester Way
Langley, BC V4W 3Y3

Distribution Facilities:
Toronto, ON
Langley, BC

(888) 565-9920 Toll Free
(519) 822-1895 Toronto
(604) 607-8850 Vancouver
info@efifoodequip.com
www.efifoodequip.com