



VERSA
DISPLAY

CGOM SERIES 51

OPEN AIR MERCHANDISERS BLACK

CGOM SERIES 51 REFRIGERATED OPEN AIR MERCHANDISERS - BLACK



- AVAILABLE IN 4 SIZES

CGOM-3651	CGOM-5151
CGOM-6251	CGOM-7451
- BRILLIANT INTERNAL LED LIGHTING ON TOP
- DIGITAL TEMPERATURE CONTROL AND DISPLAY
- 2 SIDES DOUBLE TEMPERED GLASS
- WITH FRONT CURTAIN
- WITH 2 STAINLESS STEEL STEPS
- 4 CASTERS, 2 WITH BRAKE
- VENTILATED COOLING SYSTEM
- AUTOMATIC DEFROST
- CONDENSATION WATER EVAPORATED AUTOMATICALLY

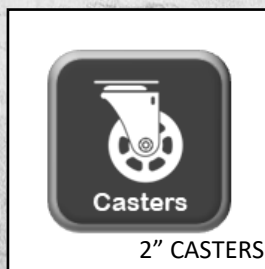
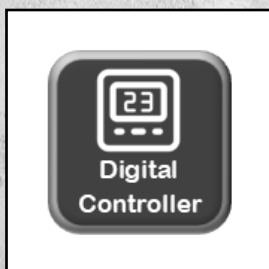
WARRANTY:
TWO YEAR PARTS AND
LABOUR; FIVE YEARS ON
COMPRESSOR

SPECIFICATIONS SUBJECT TO
CHANGE WITHOUT NOTICE.

FIND
ADDITIONAL
BENEFITS
HERE



ADDITIONAL IMAGES



MODEL DESIGNATIONS



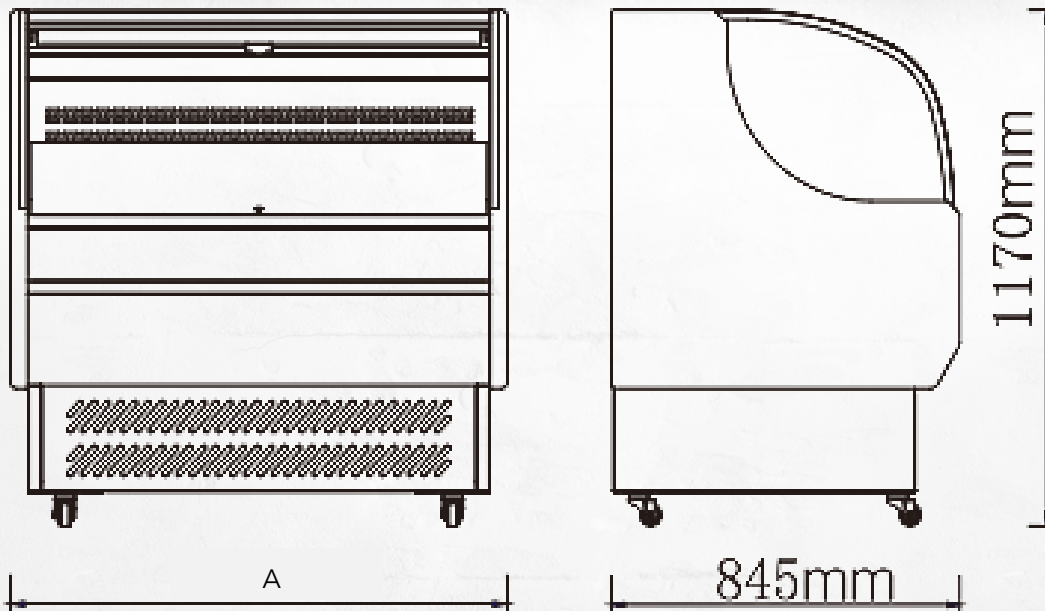
CGOM SERIES 51

OPEN AIR MERCHANDISERS BLACK

MODEL		PRODUCT DIMENSIONS					SHIPPING DIMENSIONS				DOORS	SHELVES	HP	AMPS
		WIDTH (A)	DEPTH (B)	HEIGHT (C)	WEIGHT LB/KG	CAPAC. (L/ CUFT)	WIDTH	DEPTH	HEIGHT	WEIGHT LB/KG				
CGOM-3651	INCH	35.4	33.2	46.0	260.1	215.0	38.4	36.2	50.9	343.9	NO	2.0	3/4	12.0
	MM	900.0	845.0	1,170.0	118.0	7.6	976.0	921.0	1,295.0	156.0				
CGOM-5151	INCH	47.2	33.2	46.0	325.1	294.0	50.2	36.2	50.9	408.9	NO	2.0	3/4	12.0
	MM	1,200.0	845.0	1,170.0	147.5	10.4	1,276.0	921.0	1,295.0	185.5				
CGOM-6251	INCH	59.0	33.2	46.0	391.3	373.0	62.0	36.2	50.9	475.0	NO	2.0	3/4	13.0
	MM	1,500.0	845.0	1,170.0	177.5	13.2	1,576.0	921.0	1,295.0	215.5				
CGOM-7451	INCH	70.8	33.2	46.0	391.3	451.0	73.8	36.2	50.9	542.3	NO	2.0	3/4	14.0
	MM	1,800.0	845.0	1,170.0	177.5	15.9	1,876.0	921.0	1,295.0	246.0				

VOLTAGE	NEMA PLUG	CORD LENGTH	REFRIGERANT	TEMPERATURE RANGE	
110-120~	N5-20P	≥1.8m	R290	0-12C	
				32-53F	

LINE DRAWINGS



EFI Sales Ltd.
 Toronto Office & DC
 515 Hanlon Creek Blvd.
 Guelph, ON, N1C 0A1

EFI Sales Ltd.
 Vancouver Office & DC
 26895 Gloucester Way
 Langley, BC, V4W 3Y3

(888) 565-9920 Toll Free
 (519) 822-1895 Toronto
 (604) 607-8850 Vancouver